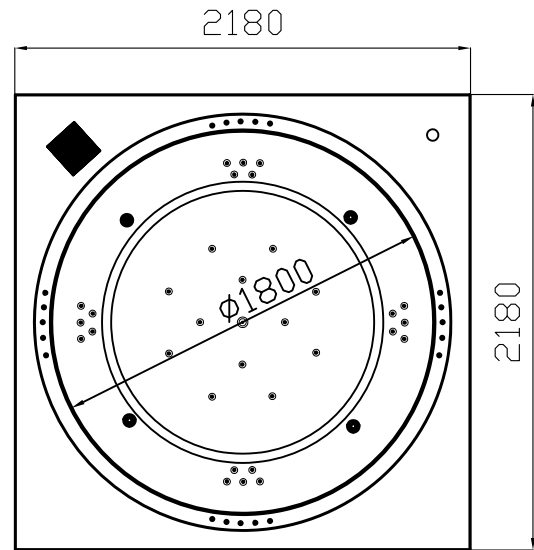
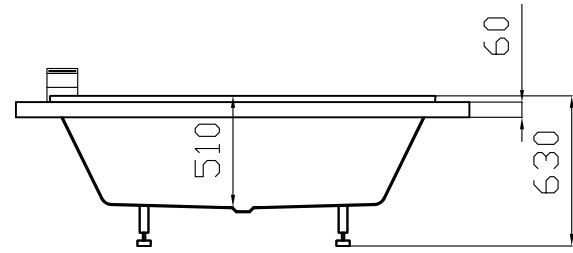


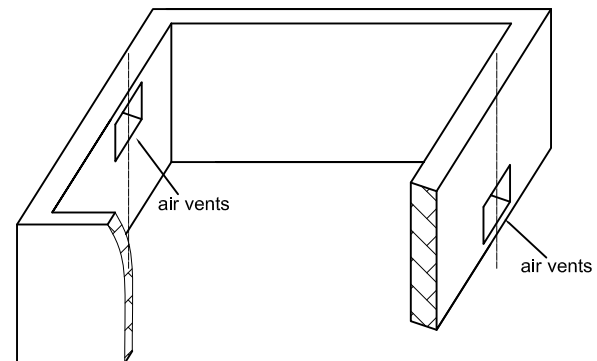
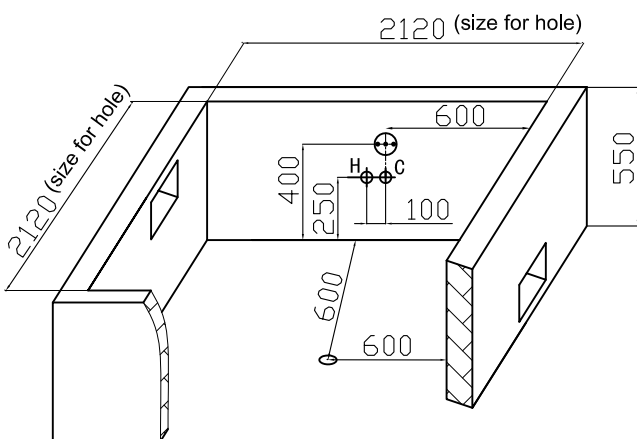
Model	Nautic Max I built-in, overflow	Water Machine (W-Machine) faucet set	Size	2150X2150X630mm
-------	---------------------------------	--------------------------------------	------	-----------------

No.	Configuration	Sketch	Unit	Qty
1	HP1.5pump (220V,50HZ)		pcs	2
2	HP0.5pump (220V,50HZ)		pcs	1
3	little jet(can be closed)		pcs	32
4	pop-up drain		set	1
5	1.5"backwater (with chromeplate cover)		pcs	3
6	chromatherapy lamp		pcs	1
7	luxurious 316 stainless steel deck-mount faucet waterfall		pcs	1
8	B6S control system		set	1
9	cleaner bottle		pcs	1
10	overflow outlet		pcs	20



Plane Graph

Product Parameter List	
rated power of pump/voltage/current	2573W/220VAC/12A
rated power of heater/voltage/current	2000W/220VAC/9A
water supply splice	G ₂ ¹ " metric external thread
drain pipe	no less than 1.5"
minimum water consumption(L)	
maximum water consumption(L)	



water&power supply connection

- ⊙..... drain pipe (no less than 1.5")
- cold/hot water supply pipe(G₂¹"metric external thread)
- ⊙..... power line (refer to configuration, choose square numbers of electric wire (can refer to parameter list) .Product should connect earth wire.)
- air vents(specific working size should depend on the attached picture(1) of installation instruction for built-in tubs.)