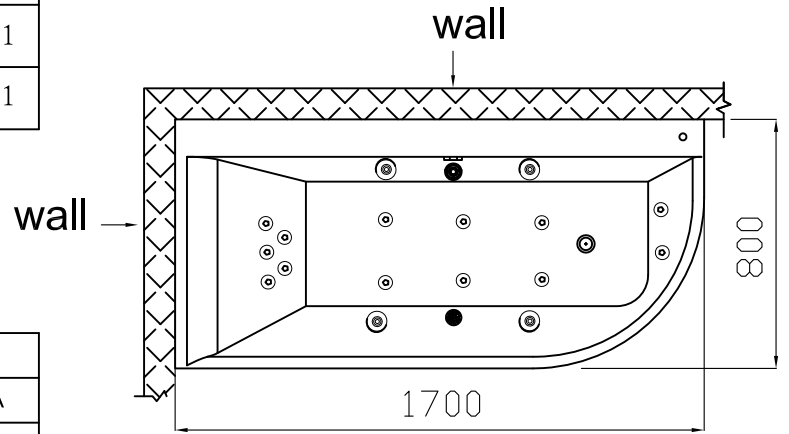
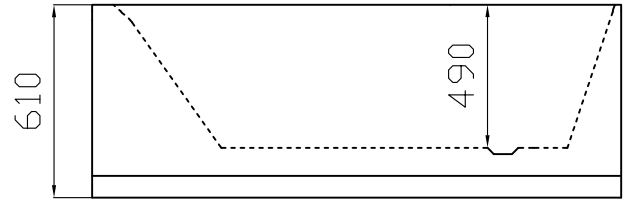


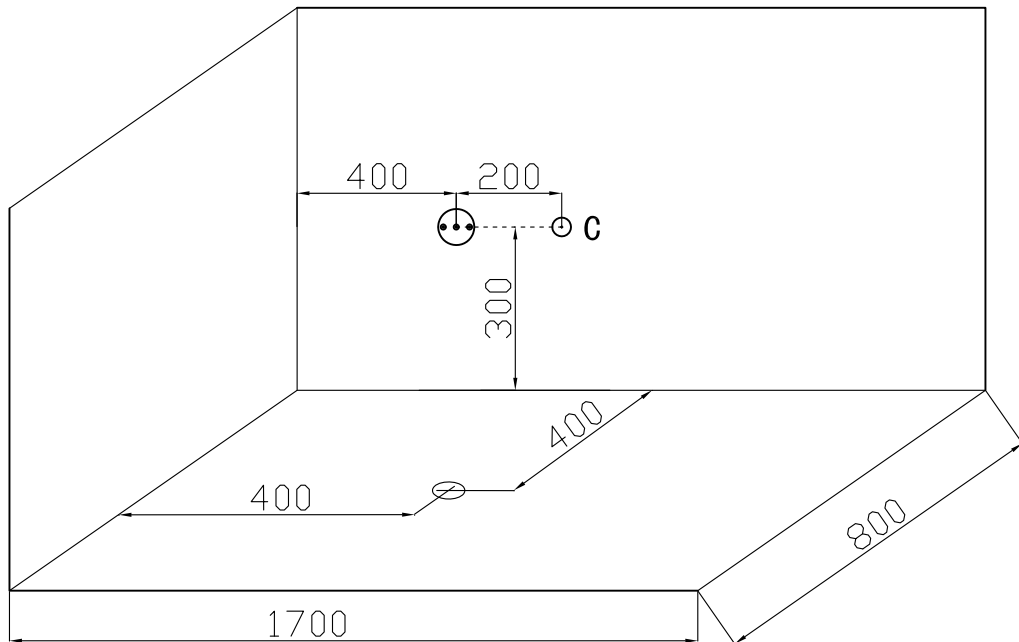
Model	Nautic Lux IV (1700)	without deck-mount faucet	Size	1700X800X610mm
-------	----------------------	---------------------------	------	----------------

No.	Configuration	Sketch	Unit	Qty
1	HP1.5pump (220V,50HZ)		pcs	1
2	turbo jet(can be closed)		pcs	4
3	little jet(can be closed)		pcs	13
4	round handle drain		set	1
5	1.5"backwater (with chromeplate cover)		pcs	1
6	chromatherapy lamp		pcs	1
7	B6S control system		set	1
8	cleaner bottle		pcs	1



Plane Graph

Product Parameter List	
rated power of pump/voltage/current	1150W/220VAC/5.6A
rated power of heater/voltage/current	2000W/220VAC/9A
water supply splice	G ₂ ¹ " metric external thread
drain pipe	no less than 1.5"
minimum water consumption(L)	140
maximum water consumption(L)	220



water&power supply connection

(Additional floor-stand faucet or wall-mounted faucet is needed, working plan of cold/hot water entry should fit the position of real object)

- drain pipe (no less than 1.5")
- cold water supply pipe(G₂¹"metric external thread, connecting with cleaning pipe of tub)
- ⊙..... power line (refer to configuration, choose square numbers of electric wire (can refer to parameter list) .Product should connect earth wire.)